

ASA 101 - Basic Keelboat Sailing Practice Test

Write the term defined

1. Knot used to tie a line to a piling. _____
2. Amidships supports for the lifelines. _____
3. Forestay, backstay, shrouds, etc. _____
4. The weighted fin at the bottom of the boat. _____
5. The back lower corner of a sail. _____
6. Sailing approximately 90 degrees across the wind. _____
7. Line which raises the boom to a desired height. _____
8. The vertical pole that supports the sails. _____
9. The distance from the waterline to the bottom of the keel. _____
10. The right side of the boat. _____

Match the word on the left to a definition on the right

- | | |
|-----------------|--|
| 1. Boom | A. The spar at the bottom of the mainsail |
| 2. Battens | B. The vertical pole that supports the sails |
| 3. Mast | C. Plastic supports in pockets in a sail |
| 4. Masthead Fly | D. The arrow at the top of the mast |
| 5. Cabin | E. The enclosed space below deck |

Multiple choice questions

1. The side of the boat away from the wind.
 - Prepare to Jibe & Jibe Ho
 - Leeward (Looard)
 - Running Rigging
 - Mid Channel Buoy
2. A nautical puller
 - Clockwise
 - Block
 - Clew
 - Bow
3. The back of the boat
 - Cabin
 - Green
 - Stern
4. When a sailboat overtakes a powerboat across, the _____ has stand on (right of way)
 - Sailboat
 - Spreaders
 - Broad Reach
 - Powerboat
 - Indicate Danger
5. Five blasts from a ships horn

- Red/Even Numbers
- Genoa/Lapper/150%
- Green/Odd Numbers

- Apparent Wind
- Sheet Bend
- Prepare to Jibe & Jibe Ho
- Weather Helm

6. The combinations of true wind and boat speed wind

True/False questions

A small headsail used in heavy wind → Storm Jib

- True False

What must you reattach to the boom before lowering the mainsail? → Boom Topping Lift

- True False

What color is a can buoy? → Red/Even Numbers

- True False

The bottom edge of a sail → Boom

- True False

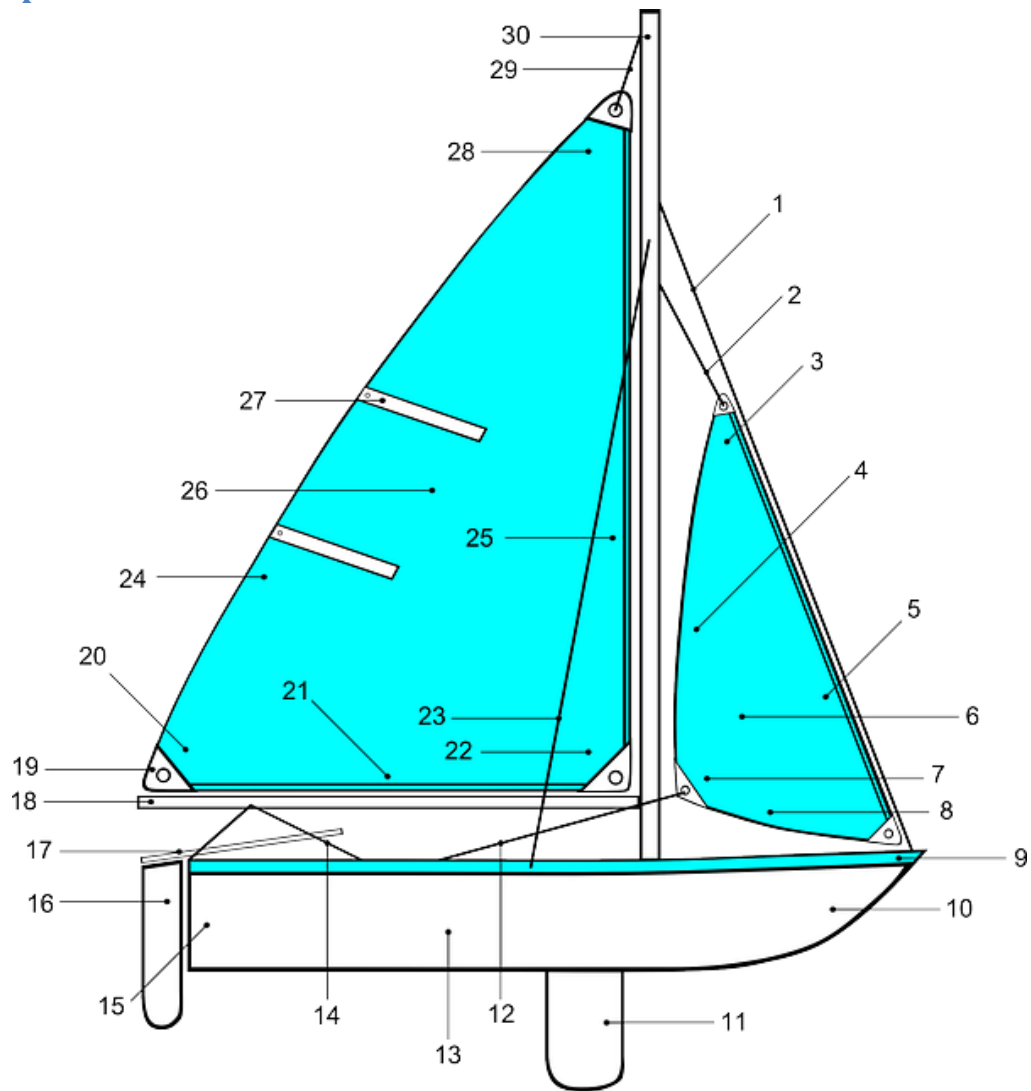
Making the sails change sides by turning the stern through the wind → Jibing

- True False

Fill in the blanks:

1. When 2 sailboats cross on opposite tacks, the _____ tack has stand on (right of way)
2. The _____ is the line sewn into the forward edge of the mainsail.
3. The _____ is the top corner of a sail.
4. The buoys with a cross inside a diamond shape mark areas are _____.
5. When the wind hits the right side of the boat and the boom is on the left you are on a _____ tack.
6. A _____ is a small headsail used in heavy wind.
7. A _____ is a jib that overlaps the mast.
8. A _____ is the fitting used to secure a line under strain.
9. The _____ side of the boat is away from the wind.
10. You are _____ when you are sailing with the wind over the stern.
11. When entering a harbor, _____ buoys are on your starboard side.
12. The back lower corner of a sail is the _____.
13. The spar at the bottom of the mainsail is called the _____.
14. _____ are pieces of yarn which indicate airflow over sails.
15. The bottom edge of a sail is the _____.
16. When you fall off slightly from a run you are sailing a _____.
17. A _____ is the on deck fitting which changes the angle of a line.
18. A white and red vertically striped buoy is a _____.
19. The stopper knot for the cockpit end of the jib sheets is a _____.
20. A _____ Knot which gives you a non-slipping loop.

List the parts of the sailboat



- | | | |
|-----|-----|-----|
| 1. | 11. | 22. |
| 2. | 12. | 23. |
| 3. | 14. | 24. |
| 4. | 15. | 25. |
| 5. | 16. | 26. |
| 6. | 17. | 27. |
| 7. | 18. | 28. |
| 8. | 19. | 29. |
| 9. | 20. | 30. |
| 10. | 21. | |